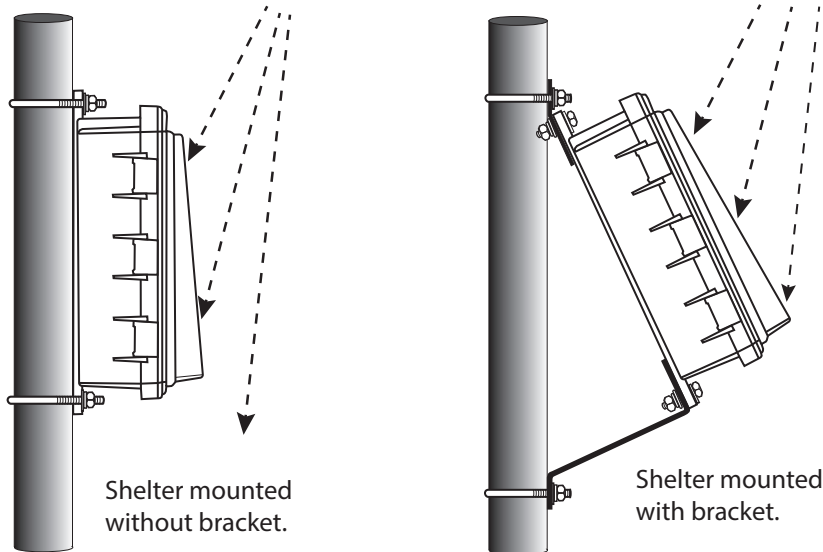


Angle Bracket (Product number 6671) for EnviroMonitor Gateway or Vantage Connect

The Angle Bracket allows the EnviroMonitor Gateway or Vantage Connect to be mounted so that sunlight on the solar panel is maximized.



The Angle Bracket is in two parts, upper and lower.

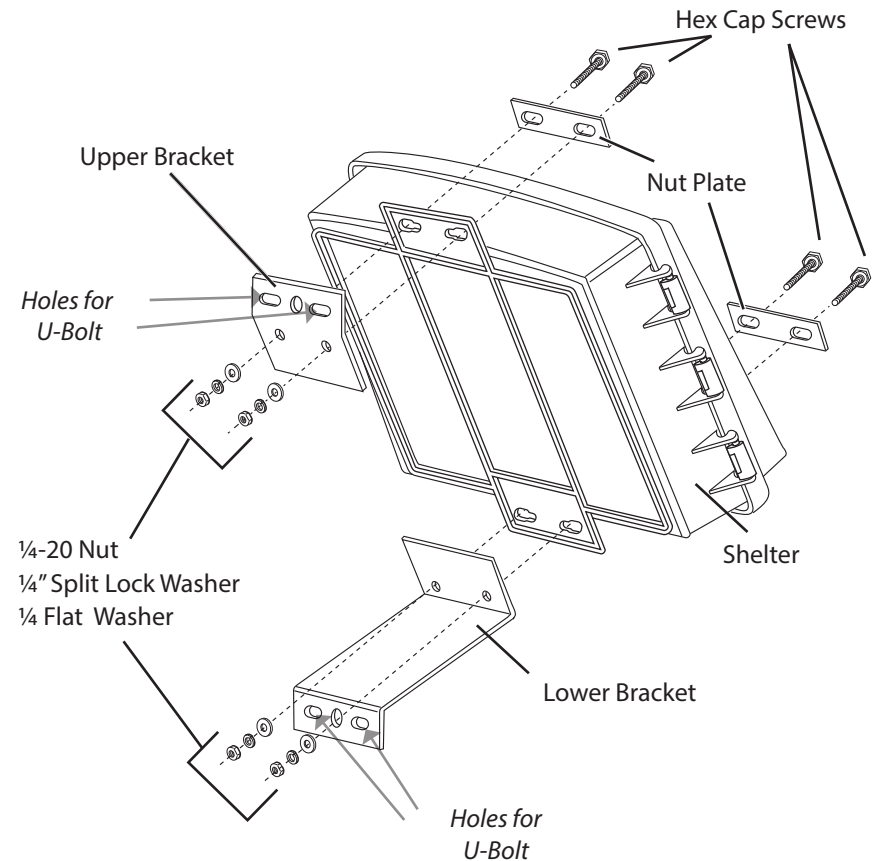
Install the bracket using the included hardware:

- Two nut plates
- Four each: 1/4-20x1" hex cap screws, 1/4-20 nuts, 1/4" split lock washers, 1/4 flat washers

OVER

Davis Instruments® 3465 Diablo Ave., Hayward, CA 94545-2778 USA
(510) 732-9229 • FAX (510) 670-0589 • sales@davisnet.com • www.davisnet.com

1. Install the bracket to the Gateway or Vantage Connect as shown below.



2. Mount on a pole using the U-bolts, nuts, and washers that came with the Gateway or Vantage Connect.

Questions? Contact Davis Technical Support:
(510) 732-7814, M- F, 7:00 am to 5:30 pm PST; or support@davisnet.com.